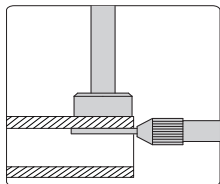


DIGITAL TUBE THICKNESS GAUGES

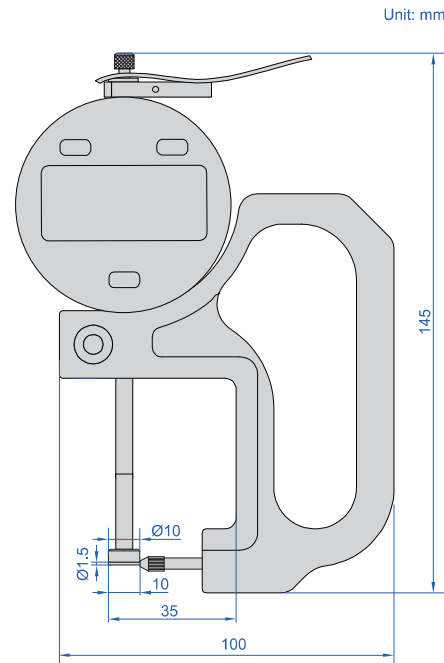
DATA
OUTPUT



- Buttons: on/off, inch/mm, zero, data preset, change measuring direction, absolute/incremental measurement
- Keep preset data in memory after restart
- Battery CR2032 , automatic power off
- Data output
- Optional accessory:
wireless transmitter code **7315-50M** (receiver is needed)



2859-10



Code	Range	Resolution	Accuracy
2859-10	0-10mm/0-0.4"	0.01mm/0.0005"	±0.02mm
2859-101	0-10mm/0-0.4"	0.001mm/0.00005"	±0.005mm